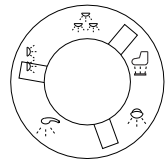
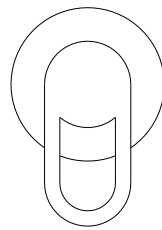


Use of method



Different stalls,
different function



Hot water

Cold water

Troubleshooting

Phenomenon	Reasons	Maintenance
Without steam	<ol style="list-style-type: none"> 1.steam generator without water. 2.inside infrared pipe burn out of steam generator 3.block of steam spray mouth. 4.probe out of control. 5.the temperature inside steam room is over the temperature what were set. 6.after fill into water it is still not the time for steam working. 7.it is overtime for the setting time. 8.disconnect with the control wire. 	<ol style="list-style-type: none"> 1.check if the switch of water in be turn on or not. 2.change the infrared pipe. 3.get rid of mess. 4.check the connection wire and change the probe. 5.waiting decrease the temperature. 6.be waiting few minutes. 7.adjust the setting time. 8.connect to control wire.
Water pipe leaking	<ol style="list-style-type: none"> 1.plastic seal ring be connected untightly. 2.screws unlock. 3.connection is glued not good. 4.water pipe be damaged. 	<ol style="list-style-type: none"> 1.change the plastic seal ring. 2.screws should be installed tightly. 3.get rid of the PVC glue then stick the glue again till it is be well done. 4.change the water pipe.
Computer panel under control	<ol style="list-style-type: none"> 1.power not be connected well,electronic leakage device without power. 2.switch of control panel out of control. 	<ol style="list-style-type: none"> 1.get through the power again. 2.change the computer panel.
Without lighting	<ol style="list-style-type: none"> 1.bulb be burned. 2.without power. 3.switch of control panel out of control. 	<ol style="list-style-type: none"> 1.change bulb. 2.get through power gain. 3.maintain or change the computer panel.
Without sounds	<ol style="list-style-type: none"> 1.speaker be broken 2.without power 3.switch of control panel out of control 	<ol style="list-style-type: none"> 1.change the speaker 2.get through power again 3.maintain or change the computer panel
Telephone connection unworking	<ol style="list-style-type: none"> 1.telephone wire not connected well or be damaged. 2.telephone's device be blocked. 	<ol style="list-style-type: none"> 1.check the wires of telephone and electronic box if get through or not, if there is something wrong replace by the similar wires. 2.get rid of mess.

Note: Instead the fittings must choose the same parameters of fittings.

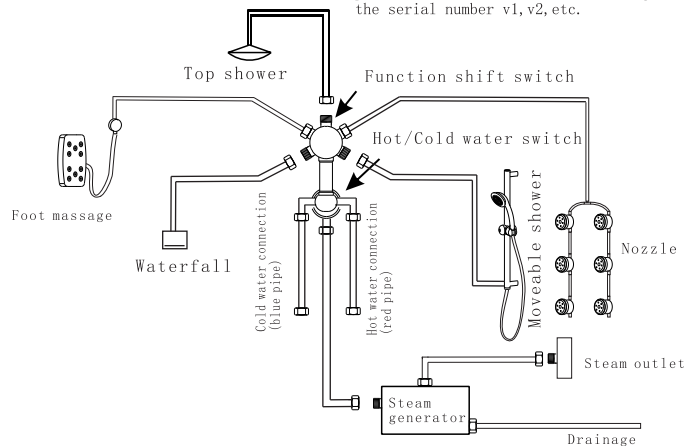
★All we do our best for the particular and definitude of the products information making , but only for reference , please depend on the practise and reality in detail .
 ★Our company keep down the authority of amending the aspects and the spare parts , according as the scheme's or parameter's redressal which was come out from technical renewal , sorry to will not offer any notice .
 ★our company reserve the final explanation and modify right for all the contents.



Do not dispose this product as unsorted municipal waste. Collection of such waste separately for special treatment is necessary.

Drawing of water connection

As the “ ” from the picture, please make the connection according to the serial number v1,v2,etc.



SB908

PRODUCT MANUAL



Dera user,

Thank you very much for purchasing our sanitary ware.

To enable you to use this product safely and effectively, please read this installation and operation manual carefully before use.

Notice

1. Please connect the water pipe before installed the products.
2. Please ensure that the product installed reliable electric leakage protection device, the power plug contains earthing conductor, and make sure it is reliable for earthing. Check the protect system of leakage protection each time before use.
3. Before turn on water pump, check if the water level over jets 10 to 20 mm or not, make sure regular usage of water pump, otherwise it will be destroy because of water leakage.
4. Do not turn on water pump, heat pump and air bubble pump without water.
5. People with Hypertension symptom, after drink or heart disease are not allowed to use this product. Children have a bath must under adult's guidance.
6. During using, please noticed that don't block the jets completely in case of water leakage by the air switch. Also keep this product clean and don't let it block with hair or mess.
7. During using, please firstly adjust the water temperature in case of being burned.
8. The steamroom is designed with ergonomic, rise and fall changes are dis tinctly, so pay more attention of slip.
9. Please shut down the system when not use.
10. Don't turn on all the electrical in the steamroom for long time.

Technical Parameter

Size: 1100x1100x2150mm

Voltage: 220V -240V 50Hz/60Hz

Hydraulic pressure : 0.1~0.2Mpa

Water pump: 750W×1

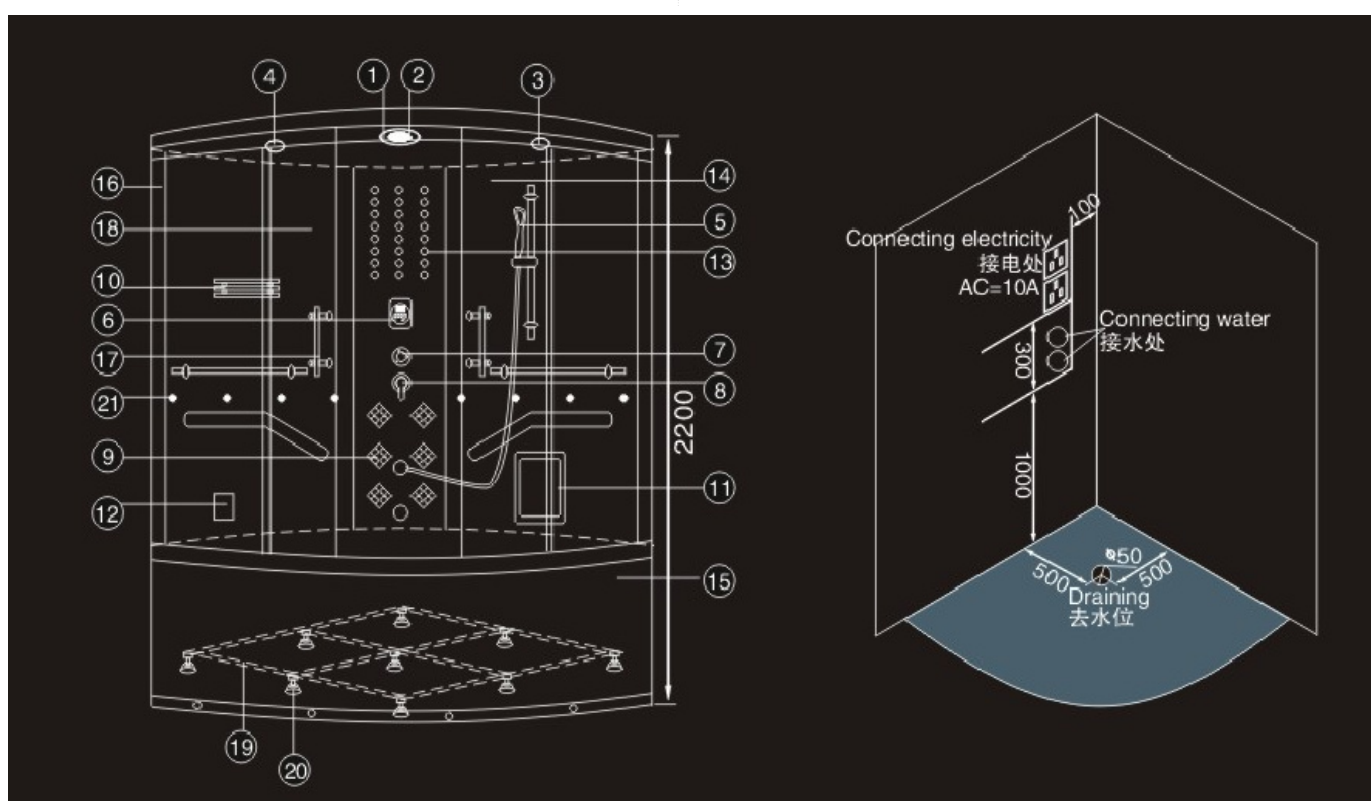
Power of steam generator : 3000 W

Power of air pump : 400 W

light: AC12V, 20W

Cubage: 0.21m³

Notice: TV, DVD, Heat pump, air bubble pump and bottom light are optional purchase.

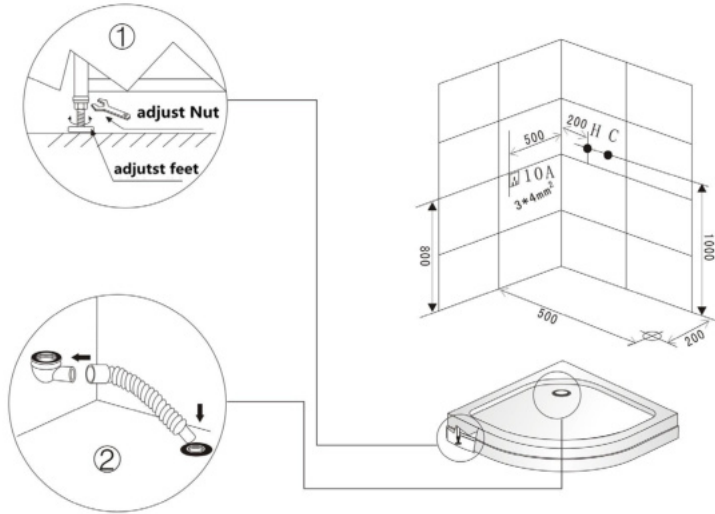


Main devices / 主要配置

- | | |
|--|--|
| ① Overhead Light
顶灯 | ⑪ Foot Massage
足部按摩器 |
| ② Overhead Shower
顶喷 | ⑫ Steam Box
蒸汽盒 |
| ③ Ventilation Fan
换气扇 | ⑬ LED Light
装饰背景灯 |
| ④ Loudspeaker
扬声器 | ⑭ Tempered Glass Backplane
钢化玻璃背板 |
| ⑤ Hand Shower With Slid Bar
可升降花洒 | ⑮ Acrylic Shower Tray
亚克力底盆 |
| ⑥ Computerized Control Panel
电脑控制面板 | ⑯ Aluminum Frame
铝材框架 |
| ⑦ Function Changer Switch
功能转换开关 | ⑰ Stainless Steel Door Handles
不锈钢门把手 |
| ⑧ Cold/Hot Water Control Switch
冷热水调节 | ⑱ Blue Tempered Glass
蓝色钢化玻璃 |
| ⑨ Acupuncture Massage Jets (6个)
针刺喷嘴 | ⑲ Stainless Steel Bracket
不锈钢支架 |
| ⑩ Layer Rack
置物架 | ⑳ Adjusting Screw
可调节螺丝脚 |

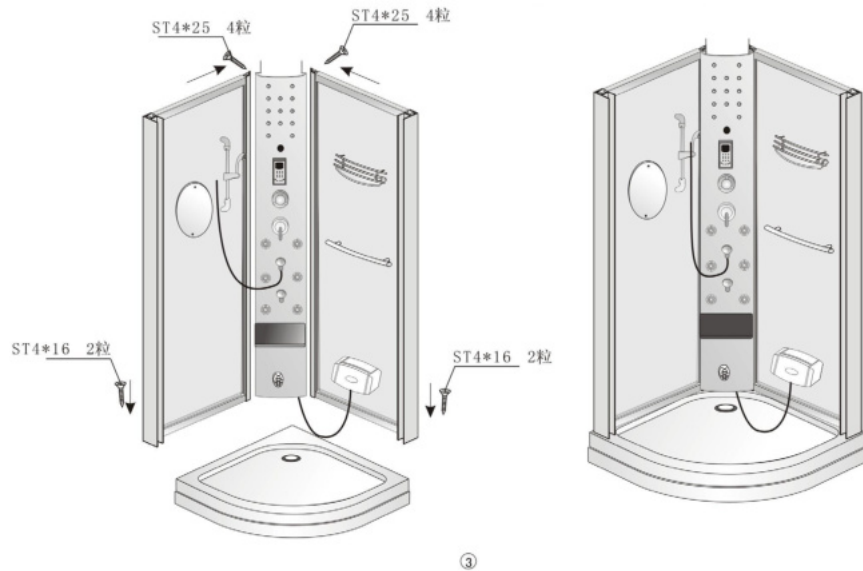
step 1

Install shower tray



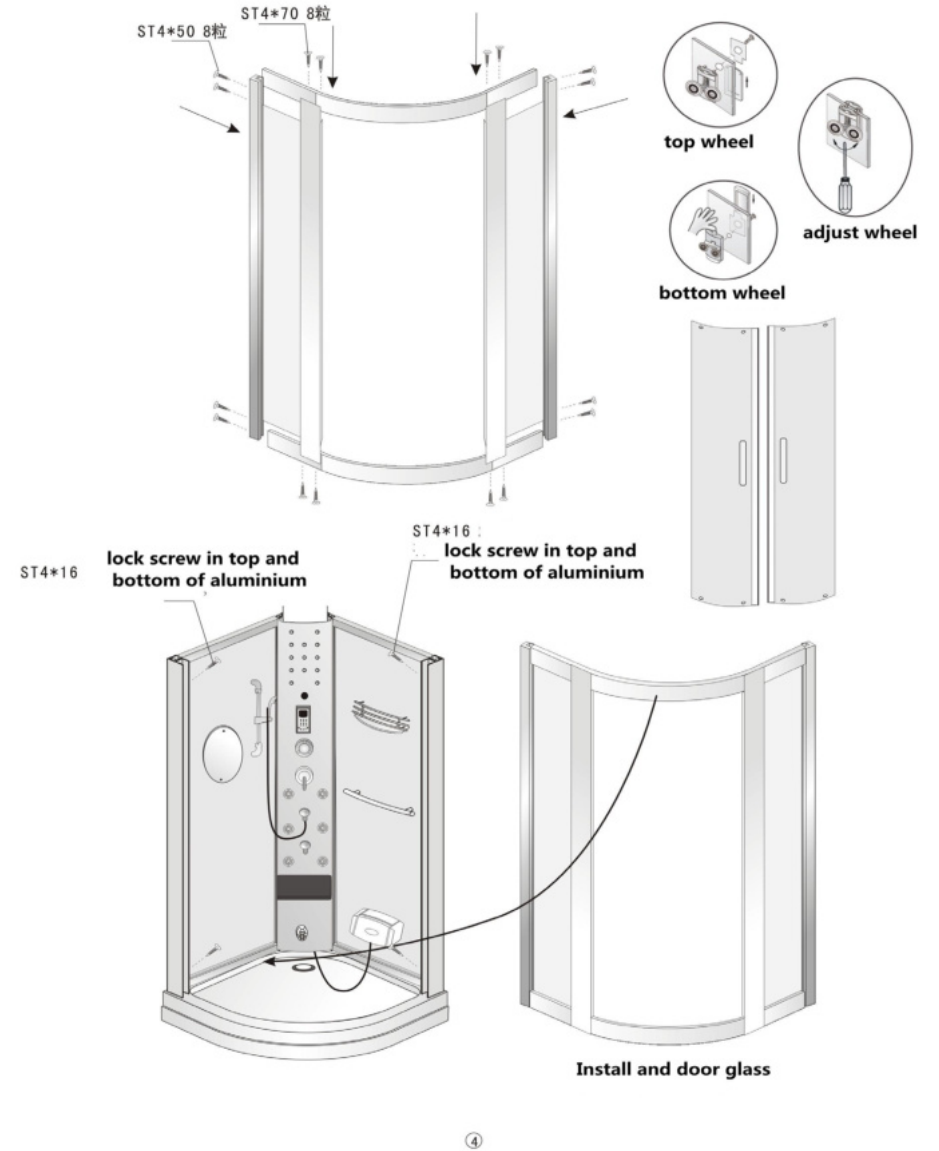
Step2

install back glass and control panel

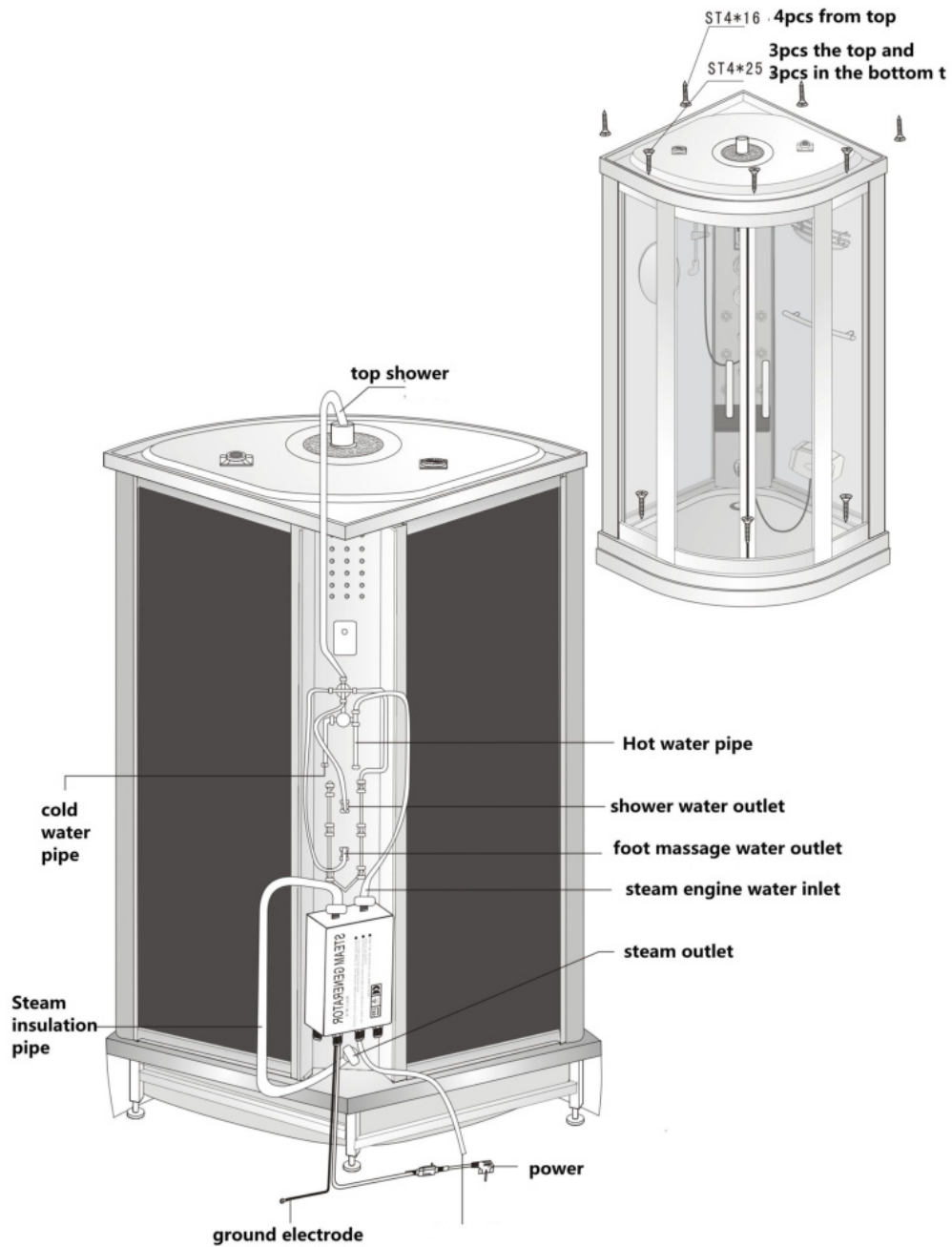


Step3

Install shower door

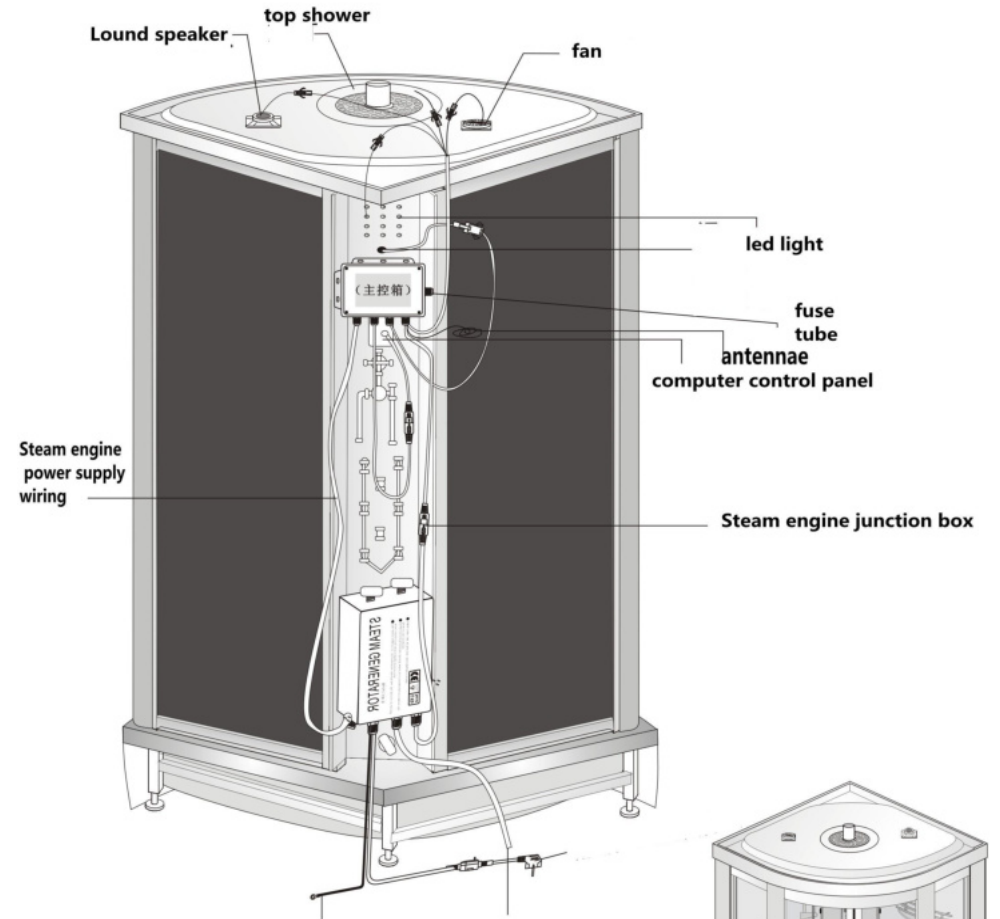


Step4
Install cover
connect the water and circuits



⑤

Step5
Put sealant around the product
 1 circuit: connect wire according to color
 2. put glass glue, after 24 hours can be used



⑥

